



GT-VT3  
ULTRA  
LOW



**New!**

## Anssems GT-VT3 Ultra Low

With a floor height of just 34 cm, this GT-VT3 is truly Ultra Low. This distinctive feature, combined with along 135 cm tailgate ramp, makes this trailer ideal for easy loading and unloading of rolling stock. The lid can

## Box van trailers with extreme low floor height

be opened, allowing you to easily walk up to the front of the trailer. This low trailer ensures comfortable and energy-efficient driving.

### Features:

- Floor height only 34 cm
- Fully lockable with included keys
- Modern look with black steel rims and black rear supports
- Extra-large manoeuvring handles
- Low-maintenance aluminium superstructure
- Fitted with propstands as standard
- Integrated tie-down rail inside (at four heights)

- Models: 3
- Gross capacity: 1350, 1500 or 2500 kg
- Version: single-axle and tandem

### Often chosen for:

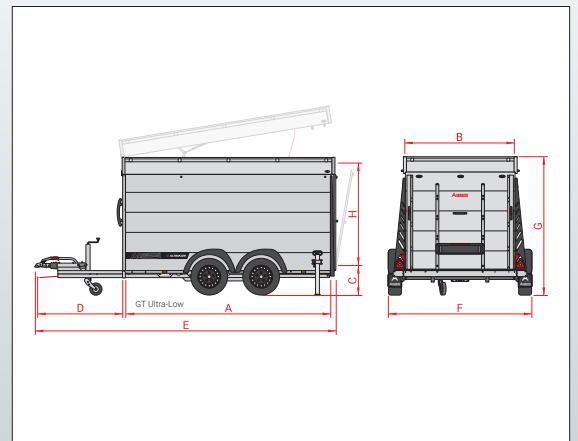
- Hobby and work
- Flightcases, motorbikes, small vehicles

### Often bought with:

- Axle shock absorbers
- Tie eye
- Lashing straps



Type	GTB 1350.251x151 VT3 Ultra Low	GTB 1500.301x151 VT3 Ultra Low	GTT 2500.301x151 VT3 Ultra Low
Gross capacity	1350 kg	1500 kg	2500 kg
Unladen weight (ULW)	398 kg	435 kg	545 kg
Load capacity	952 kg	1065 kg	1955 kg
Axles pcs	1	1	2
Braked version	v	v	v
Wheel / tyre size	185/60 R12	185/60 R12	185/60 R12
Internal length (A)	251 cm	301 cm	301 cm
Internal width (B)	151 cm	151 cm	151 cm
Internal height (H)	153 cm	153 cm	153 cm
Floor height (C)	34 cm	34 cm	34 cm
A-Frame length (D)	123 cm	123 cm	123 cm
Total length (E)	392 cm	442 cm	442 cm
Total width (F)	207 cm	207 cm	207 cm
Total height (G)	196 cm	196 cm	196 cm



# Anssems



GT-VT3  
ULTRA  
LOW



## Anssems GT-VT3 Ultra Low

## Customisation with original Anssems accessories

All models are fitted with propstands as standard. In addition, you can expand your trailer with useful accessories.



Accessory:  
tie eyes



Accessory:  
spare wheel



Accessory:  
Axle shock absorbers



Accessories	GTB 1350.251x151 VT3 Ultra Low	GTB 1500.301x151 VT3 Ultra Low	GTT 2500.301x151 VT3 Ultra Low
Tie eye M8	✓	✓	✓
Spare wheel	✓	✓	✓
Axle shock absorbers	✓	✓	✓



### Safely securing your load

You can adjust the tie hooks to any desired position using the tie rail, which is located at different heights on the aluminium sides. You can also remove the tie hooks to create smooth sides in the cargo hold.



Your Anssems dealer:



High quality trailers for every job  
View all transport solutions at:  
[www.anssems.eu](http://www.anssems.eu)

# Anssems

APL2402EN-GTUL-VT3